

# TEMPERATURE

## PLATINUM RTD TEMPERATURE INDUSTRIAL TRANSMITTER TT801, TT807 SERIES



**MINCO**

### DESCRIPTION

The Minco TT801 and TT807 two-wire 4-20 mA temperature transmitters connect to platinum 100  $\Omega$  and 1000  $\Omega$  RTDs. The TT800s are custom calibrated for those tough high and low temperature application ranges. These compact transmitters are extremely rugged and have excellent performance specifications. The TT801 accepts a two-wire or three-wire 100  $\Omega$  RTD input, and the TT807 accepts a two-wire 1000  $\Omega$  input. The 4-20 mA signal is factory calibrated over the full range of the user-specified temperature span to provide excellent performance for either thin film or wire-wound platinum RTDs.



TT801PD1BN

### FEATURES

- 4-20 mA signal transmitter
- 1000/100 $\Omega$  RTD input
- Wide, high and low calibration ranges
- Standard handy-box mounting
- Two and three-wire RTD wiring optional
- Factory calibrated
- Functional equivalent to HCT-801 and HCT-807
- 100% substitute for the discontinued Hycal transmitters

**Note:** Three-wire transmitters have two white wires and one black wire. Connect the white wires to the two common sensor leads and black to the other lead. If the sensor has only two leads, short the two transmitter white wires together and connect to one side of the sensor. Connect the black to the other side.

MOUNTING		
-1 $\Omega$ F OFFSET FOR CABLE LENGTHS BELOW		
WIRE GAUGE (AWG)	1000 $\Omega$ ft (m)	100 $\Omega$ ft (m)
12	1200 (365)	120 (36)
14	800 (244)	80 (24)
16	500 (152)	50 (15)
18	310 (94)	31 (9.4)
20	200 (60)	20 (6)
22	124 (38)	12 (3.8)
Values provided are for two-wire stranded copper and are for reference only. Terminations may also affect the offset.		

SPECIFICATIONS			
<b>Supply Voltage</b>	8.5-35 VDC	<b>Zero Adjustments</b>	$\pm$ 5% typical, factory-set, non-interacting
<b>Accuracy</b>	$\pm$ 0.1% of span	<b>RTD Current</b>	RTD current TT801 1 mA nominal TT807 0.2 mA nominal
<b>Signal Output</b>	4-20 mA @ 750 $\Omega$	<b>Protection</b>	Polarity Diode protected
<b>Linearity</b>	$\pm$ 0.1% of span	<b>Operating Temperature</b>	-40° to 185°F (-40° to 85°C)
<b>Sensor Type</b>	TT801 Three-wire, 100 $\Omega$ 385 platinum RTD (accepts two-wire input also) TT807 Two-wire, 1000 $\Omega$ 375 or 385 platinum RT	<b>Mounting</b>	Mounts inside a handy box
<b>Calibration Range</b>	Min span 35°F (19°C) Max span 1112°F (600°C) Zero Limited by the sensor used	<b>Weight</b>	0.3 lb (0.14 Kg)
<b>Span Adjustments</b>	$\pm$ 5% typical, factory-set, non-interacting	<b>Warranty</b>	3 years

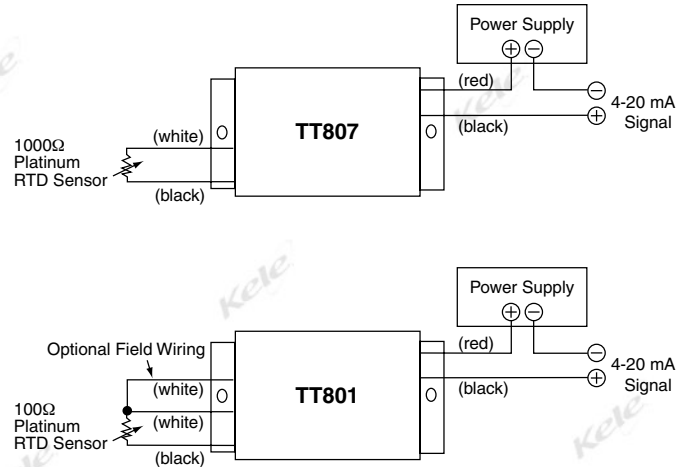
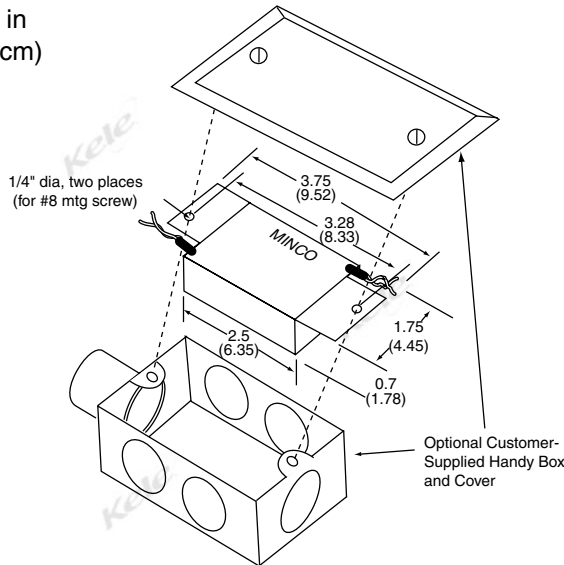


# TEMPERATURE

## PLATINUM RTD TEMPERATURE INDUSTRIAL TRANSMITTER TT801, TT807 SERIES

### DIMENSIONS / WIRING

in  
(cm)



Note: Three-wire transmitters have two white wires and one black wire. Connect the white wires to the two common sensor leads and black to the other lead. If the sensor has only two leads, short the two transmitter white wires together and connect to one side of the sensor. Connect the black to the other side. See Table 1 on previous page.

### ORDERING INFORMATION

MODEL	DESCRIPTION
<b>TT801</b>	Transmitter for three-wire PT100 RTDs (must use a PD sensor curve)
<b>TT807</b>	Transmitter for two-wire PT1000 RTDs (must use a PW, PF sensor curve)
<b>PD</b>	100Ω 0.00385 Ω/Ω/°C platinum curve, 6" leads
<b>PF</b>	1000Ω 0.00385 Ω/Ω/°C platinum curve, 6" leads
<b>PW</b>	1000Ω 0.00375 Ω/Ω/°C platinum curve, 6" leads
<b>1</b>	4-20 mA DC output
<b>EN</b>	Range codes per Minco letter ranges (-20°/140°F) or (-29°/60°C), former B2 code
<b>S</b>	Range codes per Minco letter ranges (0°/100°F) or (-18°/38°C)
<b>A</b>	Range codes per Minco letter ranges (20°/120°F) or (-7°/49°C)
<b>BI</b>	Range codes per Minco letter ranges (30°/130°F) or (-1°/54°C)
<b>KK</b>	Range codes per Minco letter ranges (30°/180°F) or (-1°/82°C) (not available with PF, PW models)
<b>BN</b>	Range codes per Minco letter ranges (30°/240°F) or (-1°/116°C), former B1 code
<b>N</b>	Range codes per Minco letter ranges (32°/122°F) or (0°/50°C), former B3 code
<b>H</b>	Range codes per Minco letter ranges (40°/90°F) or (4°/32°C)
<b>M</b>	Range codes per Minco letter ranges (-50°/50°C)
<b>C</b>	Range codes per Minco letter ranges (0°/100°C)
<b>BW</b>	Range codes per Minco letter ranges (0°/250°C) (not available with PF, PW models)
<b>JW</b>	Range codes per Minco letter ranges (0°/500°C) (not available with PF, PW models)

**TT807** **PW** **1** **A** Example: **TT807PW1A** PT1000 transmitter for 1000Ω, 375 curve platinum RTD, ranged for 20°/120°F

### RELATED PRODUCTS

**DCPA-1.2**  
**DGP-1.5-W**

Power supply, 120 VAC IN to 24 VAC/24 VDC OUT  
Power supply, 24 VAC IN to 24 VDC OUT